



---

# ZH-6090H

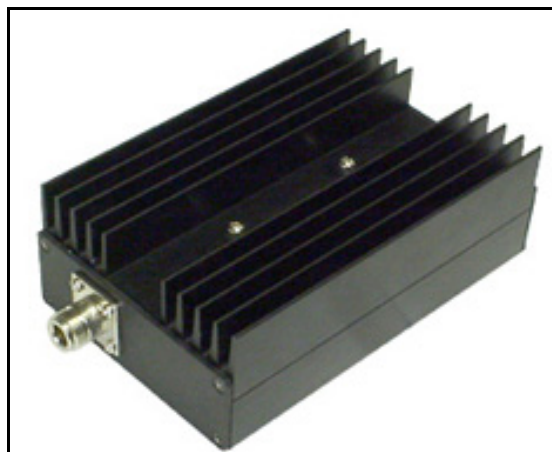
## HIGH POWER AMPLIFIER

### 30 W from 60 MHz-90 MHz

---

This is a tested high quality professional 30 W RF amplifier that requires minimum driving input of 50 mW for the maximum of 30 W RF power output. It is broadband in 60 MHz- 90 MHz and doesn't require any tuning or adjusting. Power supply is 12 V/ 7 A. Gain 28 dB. N female connectors Input / Output 50 ohms impedance. Class of operation AB.

Dimensions: 6" X 4" X 2"

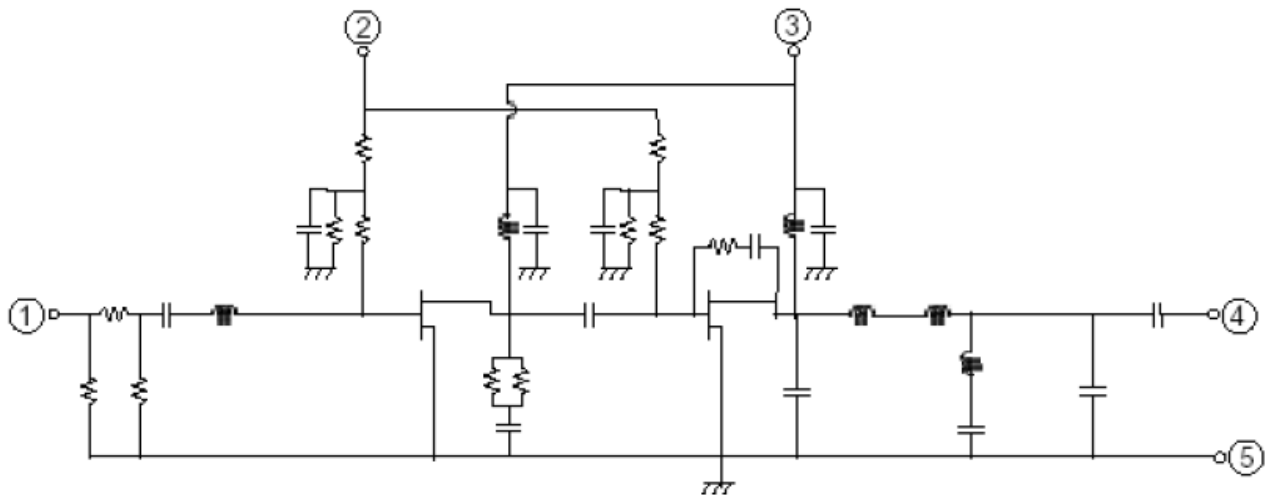


Technical Specifications	
Operating Frequencies:	60 MHz- 90 MHz
Operating class:	Linear AB
DC Voltage:	12 V
RF power:	30 W
Input power:	50 mW, max. 85 mW
Minimum required voltage:	10 V
Battery power:	12 V - 14 V
Video distortion:	N/A
Video Format:	N/A
Current Consumption:	7.0 A / 12 V
Antenna:	N/A
Antenna Connector:	BNC, N on request
Impedance:	50 ohms
Temperature Range:	-40 +75* C
Dimensions:	6" X 4 " X 2"
Weight:	300 grams

**ELECTRICAL CHARACTERISTICS** ( $T_{case}=+25^{\circ}C$ ,  $Z_G=Z_L=50\Omega$ , unless otherwise specified)

PARAMETER	CONDITIONS	MIN	MAX	UNIT
Frequency Range		60	90	MHz
Output Power	$V_{DD}=12.5V$ $P_{in}=50mW$	28	32	W
Total Efficiency	40			%
2 <sup>nd</sup> Harmonic	$V_{DD}=12.5V$ $P_{in}=50mW$	-25		dBc
Stability	100			%
Load VSWR Tolerance	Load VSWR=20:1		No degradation or destroy	

**SCHEMATIC DIAGRAM**  
**ZH-6090**



# TEST BLOCK DIAGRAM

