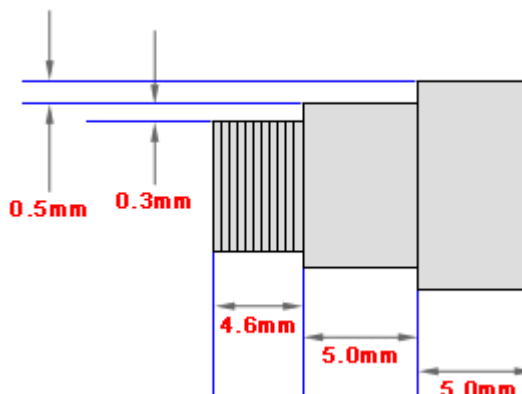


CM-588

High Resolution

World's smallest color video camera



Specifications
Lens Carl Zeiss Angle of view 68 Degrees
Image SENSOR 1/4" COLOR CAMERA
Video System NTSC
Number of Effective Pixels 510X492(NTSC)
Scanning System 2:1 INTERLACE
Resolution 410 TV lines
S/N Ratio MORE THAN 48 dB
Minimum Illuminator 1.5 Lux at F1.2
Electronic Shutter 1/50-1/63,000 sec
Horizontal Sync Frequency 15.734 kHz (NTSC)
Vertical Sync Frequency 60 Hz(NTSC)
Gamma Consumption 0.45
Video Output 1 Vp-p. 75 ohms Composite
Audio Output 20-16000 Hz, S/N more than 58 dB (Optional)
Built-In Lens 3.5 mm/ F2.6 (STANDARD), 3.1 mm/ F3.4 (3T)
Storage Temperature -30 to 60 Degree C
Working Temperature -10 to 45 Degree C
Weight 2.5 g
Power Supply DC 7-12 V (Standard) or DC 6-10 V (Optional)
Power Current 35 mA (max.)
Dimensions (WXH) 8 mm x 8 mm x 14.6 mm only
This camera comes with special cable 8" long and RCA connector, 2.1 mm power plug on the other end.