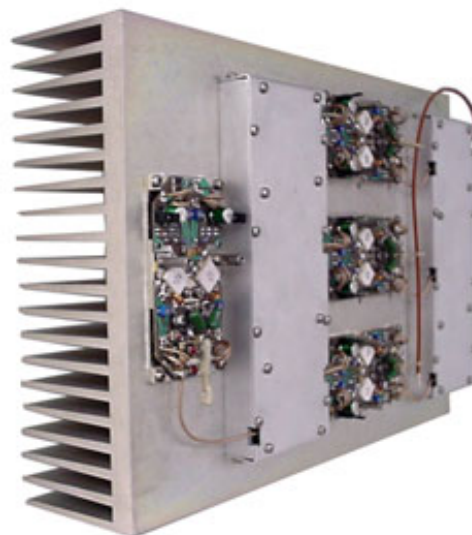
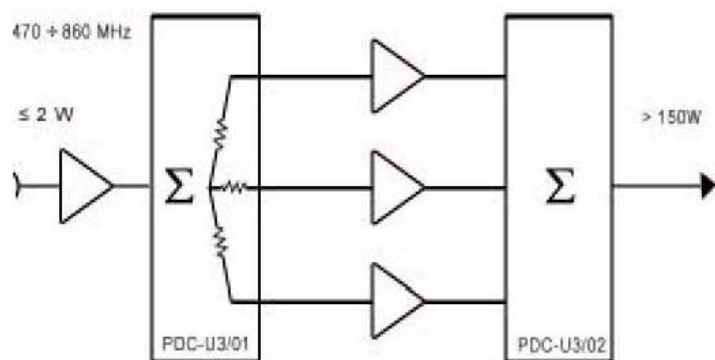


Designed for TV transposers and transmitters, this amplifier incorporates micro strip technology and discrete linear push- pull transistors with gold metallization and diffused emitter ballast resistors to enhance ruggedness and reliability.

- ◆ 470-860 MHz
- ◆ 27 Volts
- ◆ Input/Output 50 ohms
- ◆ Pout:150 W
- ◆ Gain: 18 dB min
- ◆ Class: A



ABSOLUTE MAXIMUM RATINGS (T case =25 °C)

Symbol	Parameter	Value	Unit
Vs	Collector voltage supply	27.5	Vdc
Is	Supply current	28	A dc
Tstg	Storage temperature range	-30+100	°C
Tc	Operating case temperature	-20+55	°C

ABSOLUTE MAXIMUM RATINGS (T case =25 °C)

Symbol	Parameter	Test conditions	Value			Unit
			Min	Typ.	Max.	
BW	Bandwidth	Pout=100 W(CW)	470		860	MHz
Gp	Power gain	Pout=100 W, 3 tones	18	20	22	dB
Pout-1 dB	Power output @ 1 dB compression	Reference to Pout=150 W	130			W
Icc	Supply current	Pout=150 W	-	26	-	A
Irl	Input return loss	Pout=150 W	14	18	-	dB
Orl	Output return loss	Pout=150 W	14	18	-	dB
ψ	Load mismatch	Pref=75W, 3 tones, f=860 MHz, Load VSWR=∞:1, alla phase angles	No degradation in Pout			
Gr	Gain flatness	Pref=150 W, 3 tones, BW: 470-860 MHz		±0.5	± 0.7	dB
Imd1	Intermodulation distortion – 3 tones	Vision carrier:-8dB f=860 MHz Sound carrier:-10dB, Vs=26 Sideband carrier:-16dB Pref=100 W	-	-52	-50	dBc
Imd2	Intermodulation distortion – 3 tones	Vision carrier:-8dB f=860 MHz Sound carrier:-10dB, Vs=26 Sideband carrier:-16dB Pref=100 W	-	-54	-	dBc