

TECHNICAL INFORMATION

AVX-60/VHF is a Broadcast Power Amplifier designed for both digital and analog applications. The unit is the state of the art in terms of easy assembly, reliability and performances. The complete unit can assure the compliance to all relevant international standards.



- ◆ A class Power Amplifier
- ◆ 60 Wps Out
- ◆ 18 Wrms Out DVB-T
- ◆ DTV (8 VSB): 45 Wrms
- ◆ Broadband (175-225 MHz)
- ◆ Easy maintenance
- ◆ Strong mechanical structure

TECHNICAL SPECIFICATIONS

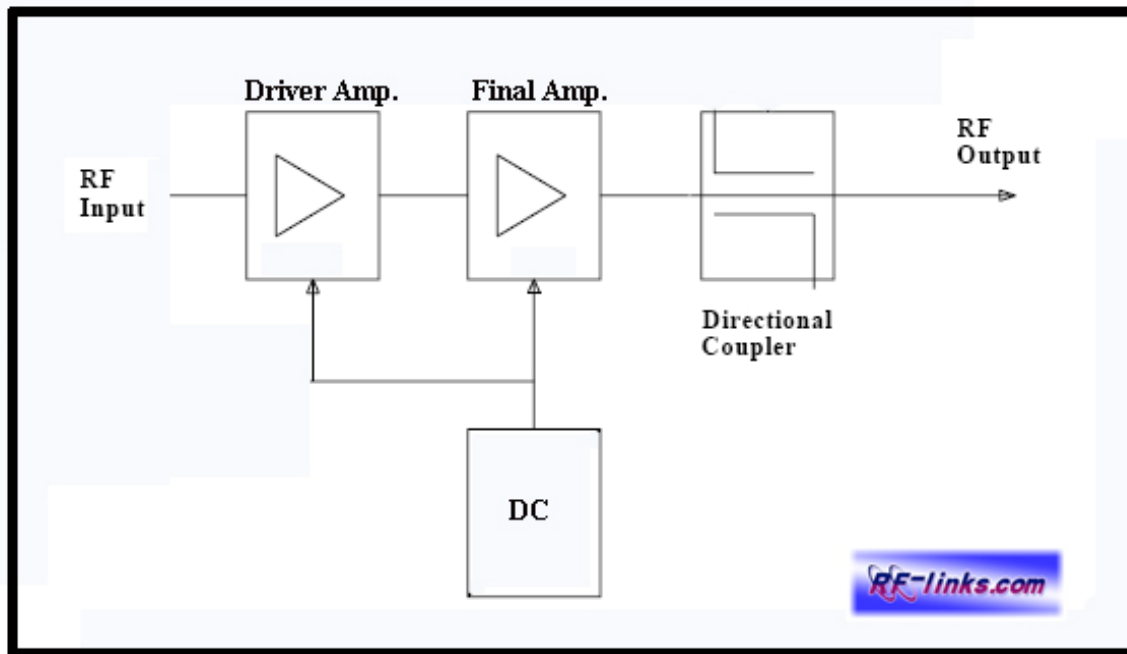
Electrical Data

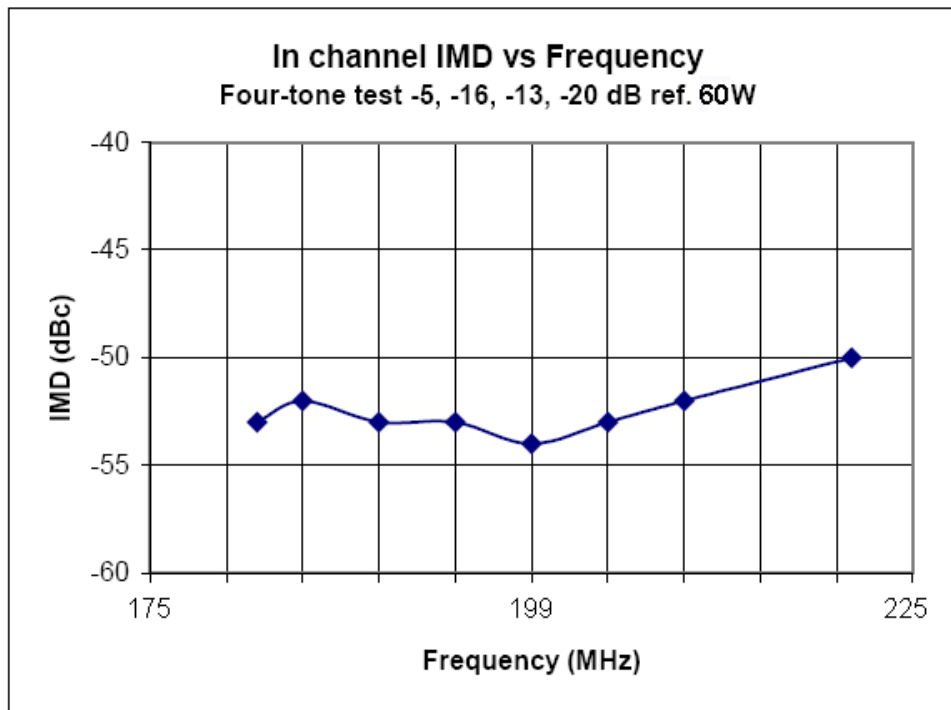
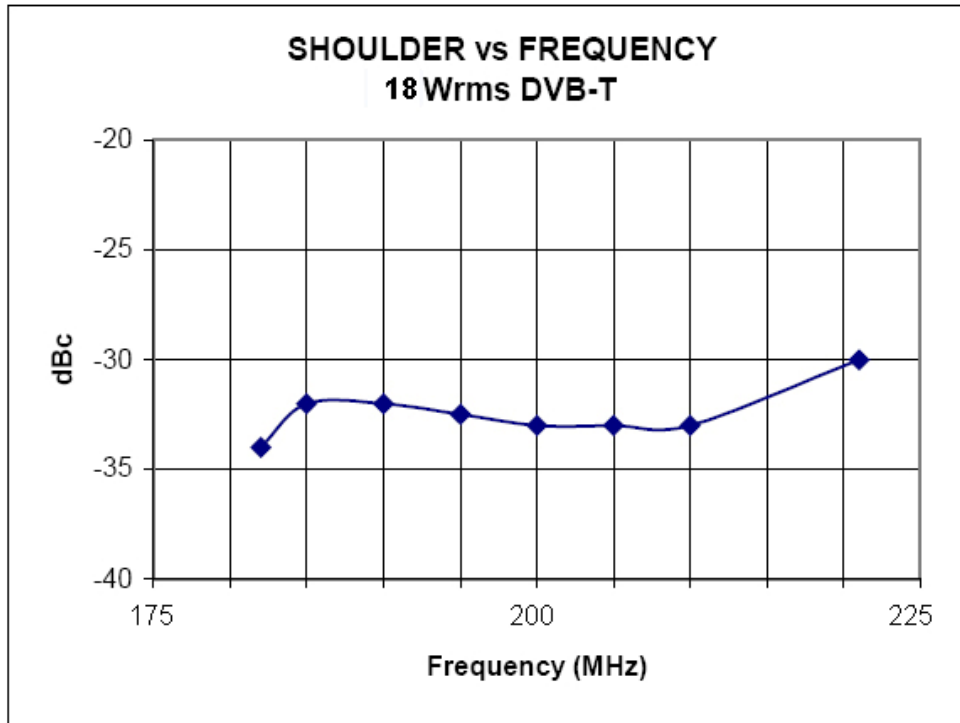
Voltage Supply	24 V DC (External AC power supply)
Power Consumption	160 W max
Current Consumption	6 A max @ 24 V
Operating Temperature	0 to +45 °C
Humidity	Up to 90% (non condensing)
Gain	11 dB nom. ±2dB
Power Out (1dB compression)	Min. 35W (Typ. 38W)
Input Return Loss	Min. -16dB (Typ. -20dB)
Output Return Loss	Min. -18dB (Typ. -20dB)
Load Mismatch (CW 30W F0 860MHz VSWR=2:1)	No degradation
P_{out} Common Amplif.	60 W Ps IMD < -46dB
P_{out} DVB-T	18 Wrms shoulder < -36dBc (with precorrection)
DTV (8 VSB)	25 Wrms
P_{out} PEP	65 W IMD < -27 dBc
Power Input	3 W
Size:	16.7"x3.49"x8"

Mechanical data and Interfaces

Dimensions	19" 3HU std 400mm depth
Weight	15 lbs
RF in	BNC connector rear panel
RF out	N connector rear panel
RF mon	N/A
RS 232	N/A
RS 485	N/A

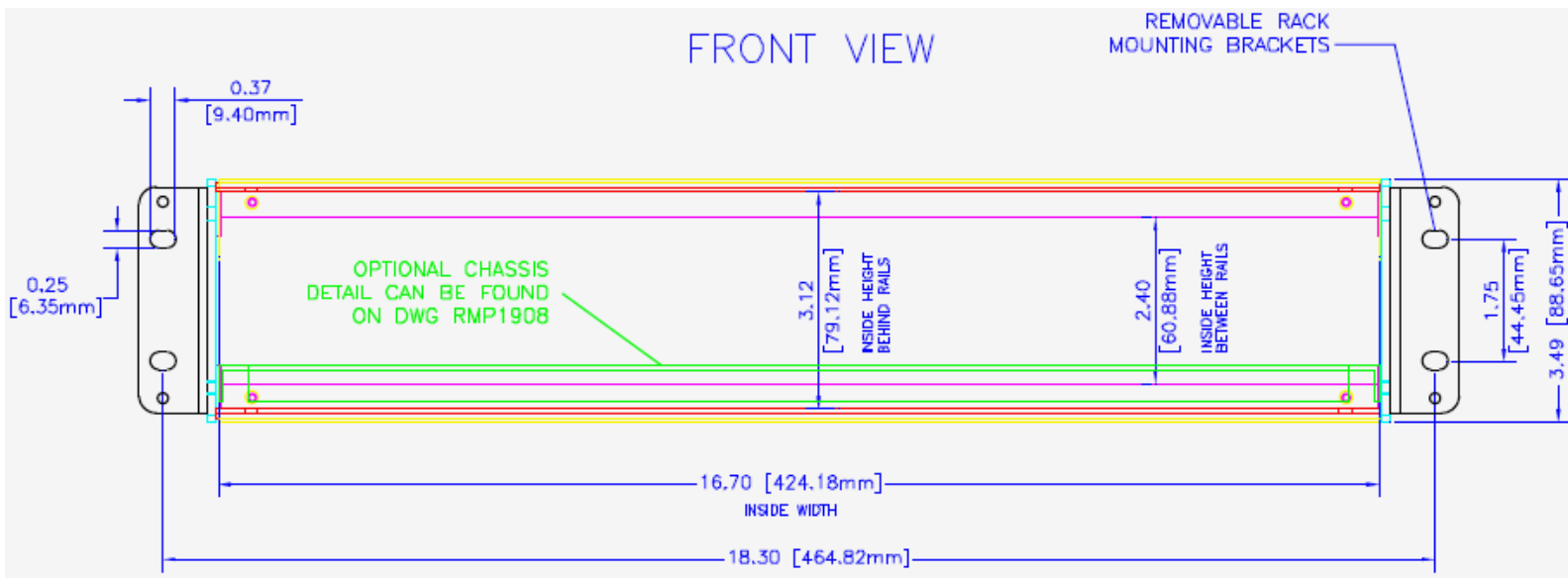
Block Diagram



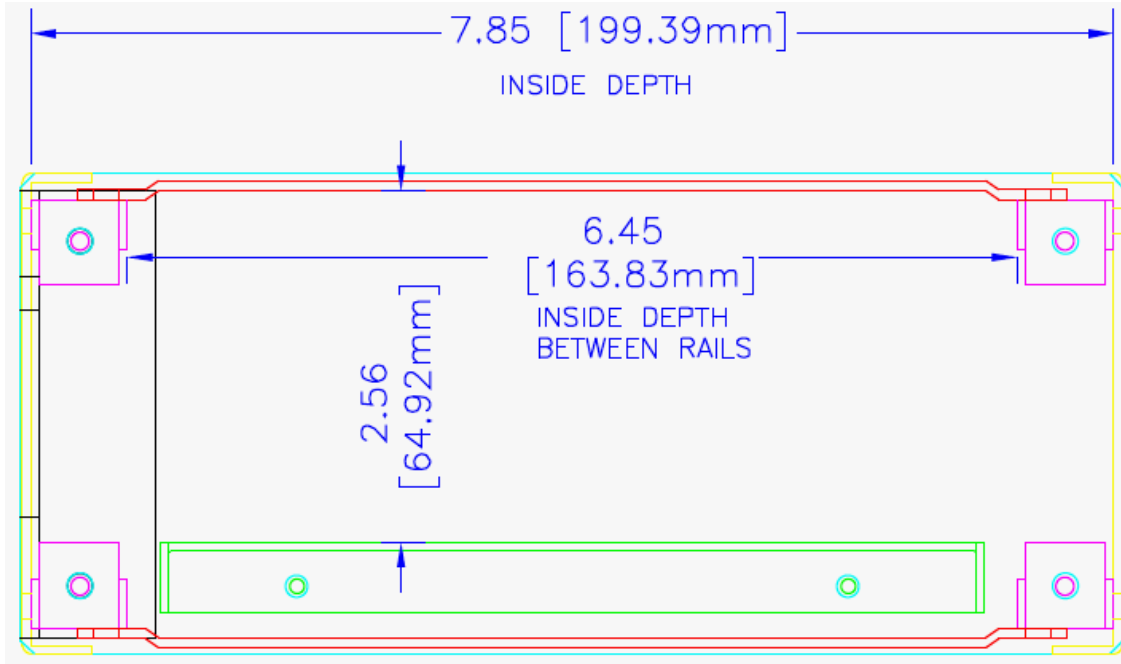




Mechanical Drawings



SIDE VIEW



TOP VIEW

