

### TECHNICAL INFORMATION

AVX-5/UHF is a Broadcast Power Amplifier designed for both digital and analog applications. The unit is the state of the art in terms of easy assembly, reliability and performances. The complete unit can assure the compliance to all relevant international standards.



- ◆ A class Power Amplifier
- ◆ 5 Wps Out
- ◆ 1 Wrms Out DVB-T
- ◆ DTV (8 VSB): 4Wrms
- ◆ Broadband (470-860 MHz)
- ◆ Easy maintenance
- ◆ Strong mechanical structure

### TECHNICAL SPECIFICATIONS

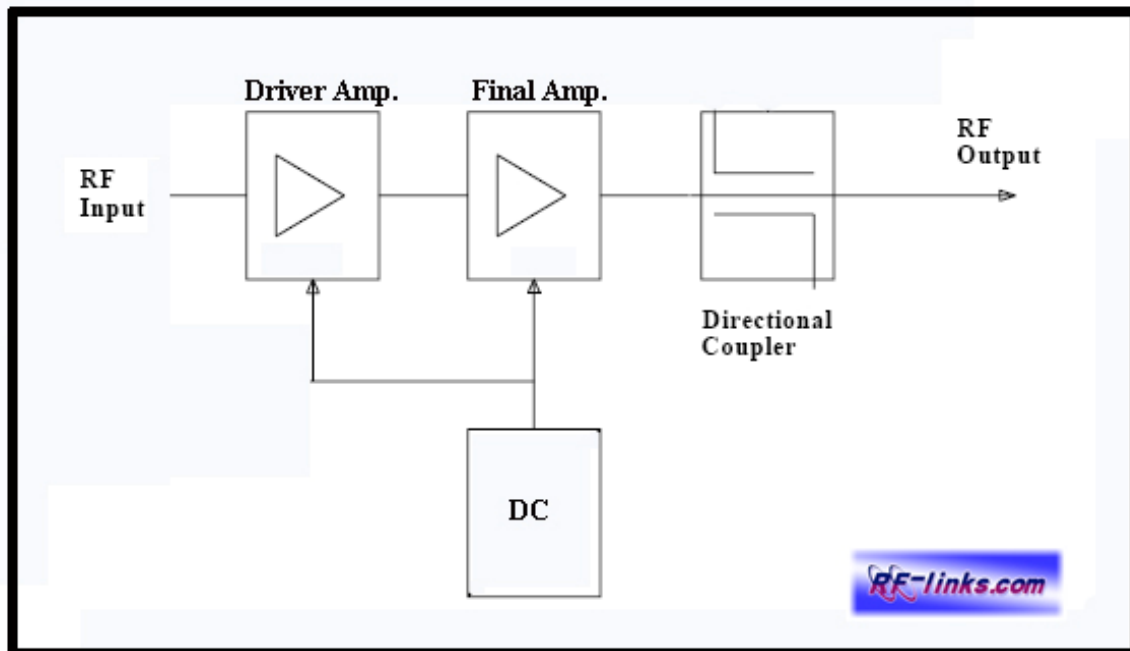
#### Electrical Data

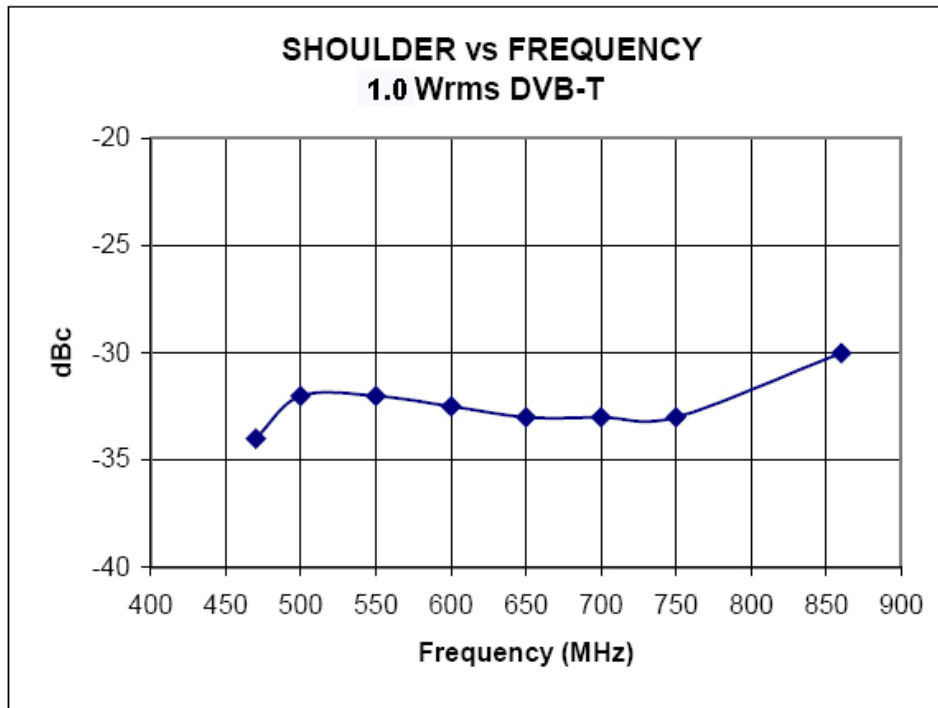
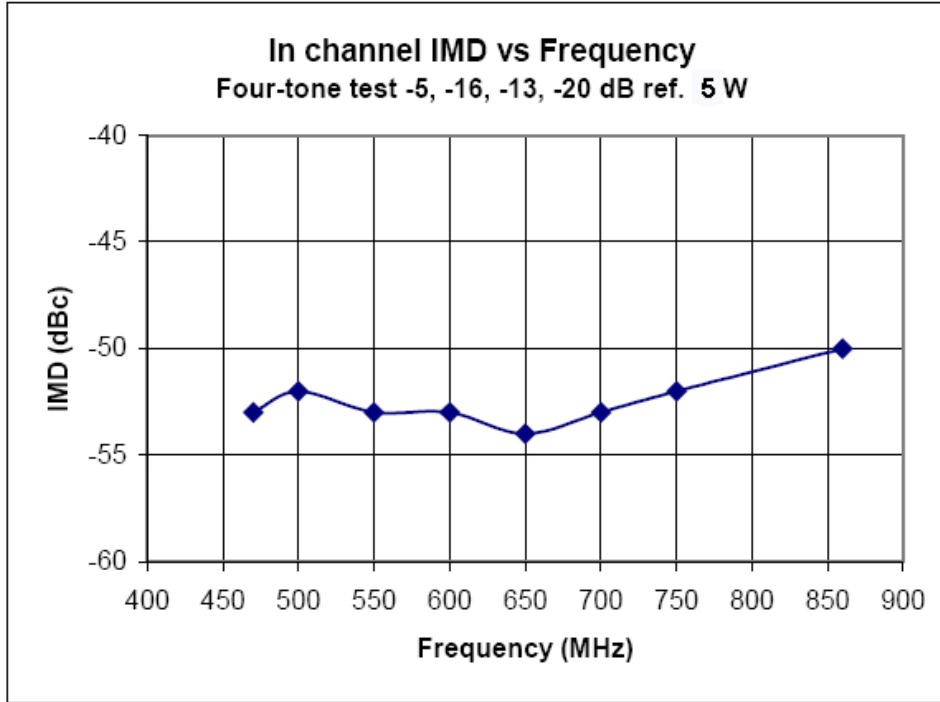
<b>Voltage Supply</b>	24 V DC (External AC power supply)
<b>Power Consumption</b>	90 W max
<b>Current Consumption</b>	2 A max @ 24 V
<b>Operating Temperature</b>	0 to +45 °C
<b>Humidity</b>	Up to 90% (non condensing)
<b>Gain</b>	9.5 dB nom. ±2dB
<b>Power Out ( 1dB compression)</b>	Min. 5W (Typ. 6W)
<b>Input Return Loss</b>	Min. -16dB (Typ. -20dB)
<b>Output Return Loss</b>	Min. -18dB (Typ. -20dB)
<b>Load Mismatch (CW 30W F0 860MHz VSWR=2:1)</b>	No degradation
<b>P<sub>out</sub> Common Amplif.</b>	5W Ps IMD < -46dB
<b>P<sub>out</sub> DVB-T</b>	1 Wrms shoulder < -36dBc (with precorrection)
<b>DTV (8 VSB)</b>	4 Wrms
<b>P<sub>out</sub> PEP</b>	5 W IMD < -27 dBc
<b>Power Input</b>	800 mW

### Mechanical data and Interfaces

Dimensions	19" 3HU std 400mm depth
Weight	7 lbs
RF in	BNC connector rear panel
RF out	N connector rear panel
RF mon	N/A
RS 232	N/A
RS 485	N/A

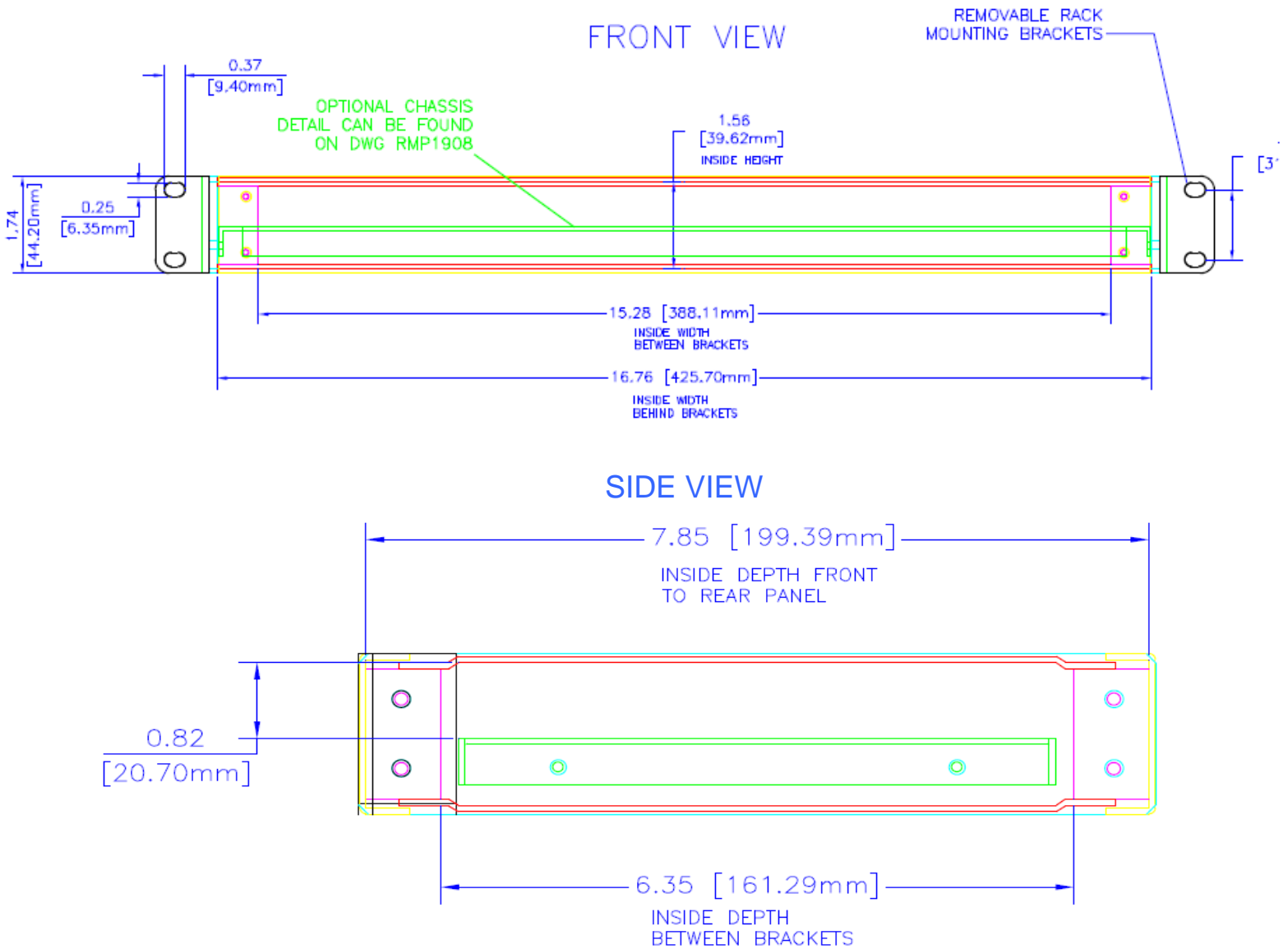
### Block Diagram







**Mechanical Drawings**



TOP VIEW

